

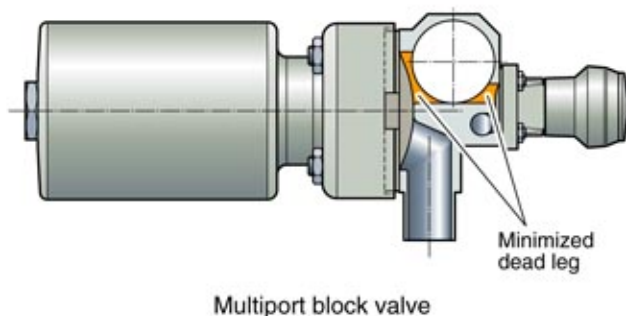
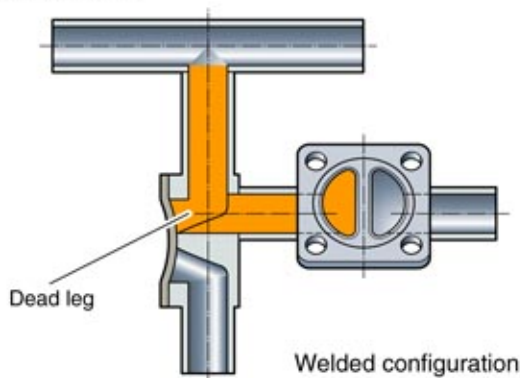
Why Multiport Valves?

A multiport valve consists of a valve body machined from a solid block material with a minimum of three tube ends. Multiport valves can be produced with up to 20 actuators and 40 tube ends or even more depending on the feasibility of multiport valve manufacturing. The selection and specification of multiport valves in the aseptic process industry becomes more and more important. The reason is found in the advantages the product offers in optimizing aseptic process purity and efficient product manufacturing.

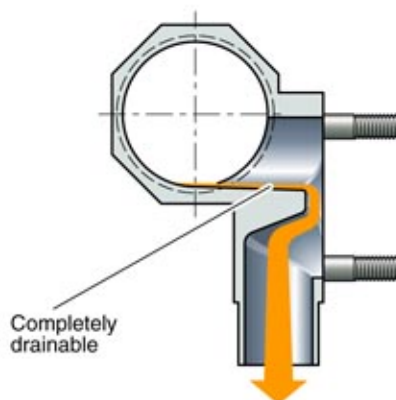
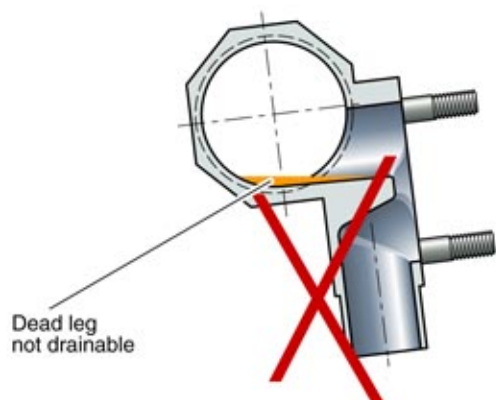
Innovative conceptual designs and modern machining capabilities are integrated through the CAD-CAM system creating profitable individual solutions with a high degree of flexibility. A prerequisite for this is an operational structure which supports a close relationship between sales, engineering and manufacturing. With a high vertical range of manufacturing at its factory, SED is in an excellent position to meet these challenging market needs. The continuous innovative development of multiport block valve products is a main focus of SED.

The ideal benefit for you, our customer, is achieved through active and cooperative teamwork of both parties during the design and specification of the valves. This refers especially to the process requirements dictated by the P&ID's for proper flow direction, drainability and installation restraints.

The below illustrations compare the hold up volume and the compact design of a multiport block valve to a welded valve configuration:



The complete drainability is an important consideration for the design of multiport valves. The following illustration shows the correct and incorrect installation of a standard T-valve:



The Advantages at a Glance:

- Customer's specific design
- Compact design and smaller envelope dimension is achievable with the Steripur Series actuators
- Combination of many different nominal diameters
- Optimized drainability
- Minimized dead leg
- Reduces surface contact, hold up volume and cross contamination of the product
- Reduction of fittings, tubing and field welds in the system
- Reduces qualification and validation documentation requirements
- All end connections and materials are available according to the customer's specification

The application of multiport block valves is mainly for the distribution, point of use, sampling, diverting, mixing, bypass, drain and process sterilization (SIP/CIP).